

November 2009

Types 95L, 95H, 95HP, and 95HT Pressure Reducing Regulators

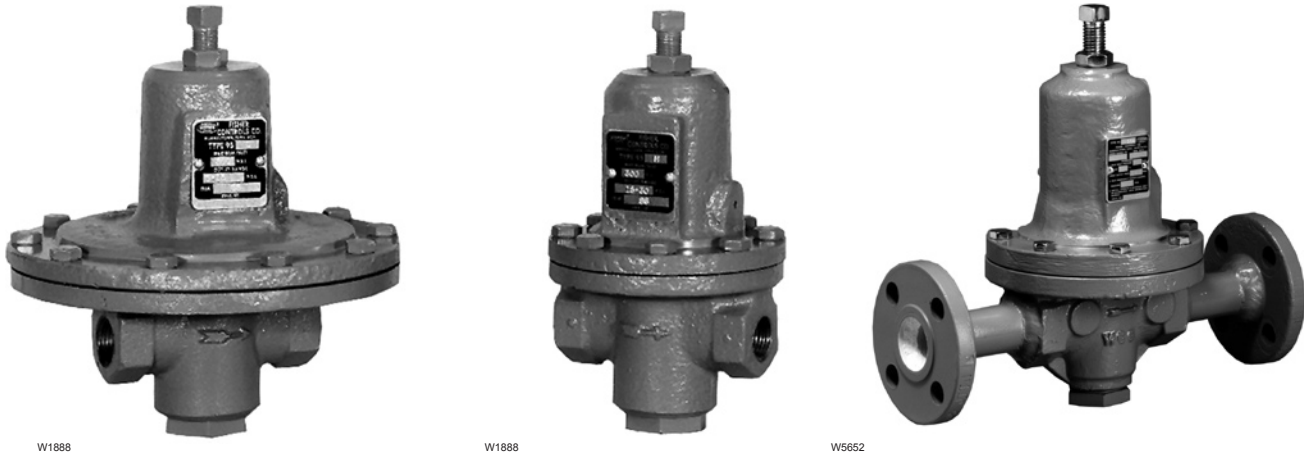


Figure 1. Type 95L NPT Body (Left), Type 95H NPT Body (Middle), and Type 95H Flanged Body (Right) Pressure Reducing Regulators



WARNING

Failure to follow these instructions or to properly install and maintain this equipment could result in an explosion, fire and/or chemical contamination causing property damage and personal injury or death.

Fisher® regulators must be installed, operated, and maintained in accordance with federal, state, and local codes, rules and regulations, and Emerson Process Management Regulator Technologies, Inc. instructions.

If the regulator vents gas or a leak develops in the system, service to the unit may be required. Failure to correct trouble could result in a hazardous condition.

Call a gas service person to service the unit. Only a qualified person must install or service the regulator.

Introduction

Types 95L, 95H, 95HP, and 95HT direct-operated pressure regulators are suitable for pressure control of steam, air, gas, water, oil, and similar fluids requiring constant outlet pressures between 2 and 400 psig (0,14 and 27,6 bar). Typical 95L and 95H regulators are shown in Figure 1.

Description

Type 95L—Pressure reducing regulator suitable for controlling many gases and liquids. Cast Iron, Steel, or Stainless steel bodies are available. Outlet pressure range is from 2 to 30 psig (0,14 and 2,1 bar) with three different springs available. Body sizes are available



Types 95L, 95H, 95HP, and 95HT

Specifications

Available Configurations

Type 95L: Low-pressure regulator for 2 to 30 psig (0,14 to 2,1 bar) outlet pressures

Type 95H: High-pressure regulator for 5 to 150 psig (0,34 to 10,3 bar) outlet pressures

Type 95HP: High-pressure regulator for 15 to 400 psig (1,0 to 27,6 bar) outlet pressures (soft-seated)

Type 95HT: High-pressure/high temperature regulator for 15 to 300 psig (1,0 to 20,7 bar) outlet pressures (metal seat) and up to 650°F (343°C)

Body and Orifice Sizes

NPS 1/4 body: 1/4-inch (6,4 mm) orifice

NPS 1/2 (DN 15) body: 3/8-inch (9,5 mm) orifice

NPS 3/4 and 1 (DN 20 and 25) bodies: 9/16-inch (14 mm) orifice

NPS 1-1/2 and 2 (DN 40 and 50) bodies: 1-1/16-inch (27 mm) orifice

End Connection Styles

NPT, ASME flanged; all sizes are fabricated with slip-on flanges and are 14-inches face-to-face (EN flanged-356 mm face-to-face), CL150 RF, CL300 RF, PN 16/25/40, or SWE.

Maximum Cold Working Pressures of Body Size and Material

See Table 2

Outlet Pressure Ranges

See Table 1

Maximum Temperature Ranges of Diaphragm and Seat Materials⁽¹⁾⁽²⁾

MATERIAL	TEMPERATURE RANGE
Nitrile (NBR)	-40° to 180°F (-40° to 82°C)
Neoprene (CR)	-40° to 180°F (-40° to 82°C)
Fluorocarbon (FKM) ⁽³⁾	0° to 300°F (-18° to 149°C)
Ethylenepropylene (EPDM)	-40° to 275°F (-40° to 135°C)
Perfluoroelastomer (FFKM)	0° to 425°F (-18° to 218°C)
Polytetrafluoroethylene (PTFE)	-40° to 400°F (-40° to 204°C)
Stainless Steel	-40° to 650°F (-40° to 343°C)

Maximum Temperature Ranges of Body Materials⁽¹⁾⁽²⁾

REGULATOR	BODY AND SPRING CASE MATERIALS	TEMPERATURE RANGE
Type 95L Type 95H	Cast Iron Steel Stainless Steel	-40° to 406°F (-40° to 208°C) -20° to 450°F (-29° to 232°C) -40° to 450°F (-40° to 232°C)
Type 95HP	Steel Stainless Steel	-20° to 450°F (-29° to 232°C) -40° to 450°F (-40° to 232°C)
Type 95HT	Steel Stainless Steel	-20° to 650°F (-29° to 343°C) -40° to 550°F (-40° to 288°C)

Pressure Setting Adjustment

Adjusting screw (standard), Handwheel/Tee handle (optional): NPS 1/2 (DN 15) body has a handwheel, all other sizes have tee handles.

Pressure Registration

Internal

Shutoff Classification Per ANSI/FCI 70-3-2004

Metal Seats: Class IV

Elastomer Seats: Class VI or better

PTFE: Class IV

Approximate Weights

Types 95H, 95HP, and 95HT:

NPS 1/4 body: 4 pounds (2 kg)

NPS 1/2 (DN 15) body: 8 pounds (4 kg)

NPS 3/4 and 1 (DN 20 and 25) bodies: 20 pounds (9 kg)

NPS 1-1/2 and 2 (DN 40 and 50) bodies: 73 pounds (33 kg)

Type 95L:

NPS 1/4 body: 6 pounds (3 kg)

NPS 1/2 (DN 15) body: 12 pounds (5 kg)

NPS 3/4 and 1 (DN 20 and 25) bodies: 32 pounds (15 kg)

1. The pressure/temperature limits in this Instruction Manual, and any applicable standard or code limitation should not be exceeded.

2. Pressures and/or the body end connection may decrease these maximum temperatures.

3. Fluorocarbon (FKM) is limited to 200°F (93°C) hot water.

Types 95L, 95H, 95HP, and 95HT

Table 1. Outlet Pressure Ranges

TYPE	BODY SIZE, NPS (DN)	OUTLET PRESSURE RANGES		SPRING WIRE DIAMETER		SPRING FREE LENGTH		SPRING PART NUMBER	COLOR	
		Psig	bar	Inches	mm	Inches	mm			
95L	1/4	2 to 6	0,14 to 0,41	0.148	3,76	2.00	50,8	1E392527022	Yellow	
		5 to 15	0,34 to 1,0	0.172	4,37	2.00	50,8	1E392627012	Green	
		13 to 30	0,90 to 2,1	0.207	5,26	1.93	49,2	1E392727142	Red	
	1/2 (15)	2 to 6	0,14 to 0,41	0.207	5,26	2.50	63,5	1E395627022	Yellow	
		5 to 15	0,34 to 1,0	0.234	5,94	2.57	65,2	1D7455T0012	Green	
		13 to 30	0,90 to 2,1	0.281	7,14	2.44	62,0	1E395727192	Red	
3/4, 1 (20, 25)	2 to 6	0,14 to 0,41	0.306	7,77	4.00	102	1E398927022	Yellow		
	5 to 15	0,34 to 1,0	0.343	8,71	4.00	102	1E399027142	Green		
	13 to 30	0,90 to 2,1	0.406	10,3	4.00	102	1E399127162	Red		
95H	1/4	15 to 30	1,0 to 2,1	0.148	3,76	2.00	50,8	1E392527022	Yellow	
		25 to 75	1,7 to 5,2	0.172	4,37	2.00	50,8	1E392627012	Green	
		70 to 150	4,8 to 10,3	0.207	5,26	1.93	49,2	1E392727142	Red	
	1/2 (15)	15 to 30	1,0 to 2,1	0.207	5,26	2.50	63,5	1E395627022	Yellow	
		25 to 75	1,7 to 5,2	0.234	5,94	2.57	65,2	1D7455T0012	Green	
		70 to 150	4,8 to 10,3	0.281	7,14	2.44	62,0	1E395727192	Red	
	3/4, 1 (20, 25)	15 to 30	1,0 to 2,1	0.306	7,77	4.00	102	1E398927022	Yellow	
		25 to 75	1,7 to 5,1	0.343	8,71	4.00	102	1E399027142	Green	
		70 to 150	4,8 to 10,3	0.406	10,3	4.00	102	1E399127162	Red	
	1-1/2, 2 (40, 50)	5 to 80	0,34 to 5,5	0.531	13,5	6.56	167	1E795327082	Light Blue	
		60 to 120	4,1 to 8,3	0.562	14,3	6.56	167	1E795427082	Light Gray	
		100 to 140	6,9 to 9,7	0.593	15,1	6.50	165	1E793327082	Yellow	
95HT	1/4	15 to 100	1,0 to 6,9	0.192	4,88	1.96	49,8	14B9941X012	Unpainted	
		80 to 300	5,5 to 20,7	0.282	7,16	1.96	49,8	14B9940X012	Unpainted	
		15 to 100	1,0 to 6,9	0.282	7,16	2.50	63,5	14B9943X012	Unpainted	
	1/2 (15)	80 to 300	5,5 to 20,7	0.375	9,52	2.50	63,5	14B9942X022	Unpainted	
		15 to 100	1,0 to 6,9	0.437	11,1	4.03	102	14B9944X022	Unpainted	
		80 to 300	5,5 to 20,7	0.562	14,3	4.03	102	14B9945X022	Unpainted	
	1-1/2, 2 (40, 50)	15 to 100	1,0 to 6,9	0.625	15,9	6.70	170	17B1704X012	Unpainted	
		60 to 260	4,1 to 17,9	0.812	20,6	6.70	170	17B1705X012	Unpainted	
	95HP	1/4	15 to 100	1,0 to 6,9	0.192	4,88	1.96	49,8	14B9941X012	Unpainted
			80 to 400	5,5 to 27,6	0.282	7,16	1.96	49,8	14B9940X012	Unpainted
		1/2 (15)	15 to 100	1,0 to 6,9	0.282	7,16	2.50	63,5	14B9943X012	Unpainted
			80 to 400	5,5 to 27,6	0.375	9,52	2.50	63,5	14B9942X022	Unpainted
3/4, 1 (20, 25)		15 to 100	1,0 to 6,9	0.437	11,1	4.03	102	14B9944X022	Unpainted	
		80 to 400	5,5 to 27,6	0.562	14,3	4.03	102	14B9945X022	Unpainted	
1-1/2, 2 (40, 50)		15 to 100	1,0 to 6,9	0.625	15,9	6.70	170	17B1704X012	Unpainted	
		60 to 300	4,1 to 20,7	0.812	20,6	6.70	170	17B1705X012	Unpainted	

Table 2. Maximum Cold Working Pressures of Body Size and Material⁽¹⁾⁽²⁾

REGULATOR	BODY SIZE, NPS	BODY AND SPRING CASE MATERIALS	MAXIMUM INLET PRESSURE, PSIG (bar)	MAXIMUM OUTLET PRESSURE, PSIG (bar)
Type 95L	All Sizes	Cast Iron	250 (17,2)	50 (3,4)
		Steel	300 (20,7)	125 (8,6)
		Stainless Steel	300 (20,7)	125 (8,6)
Type 95H	All Sizes	Cast Iron	250 (17,2)	250 (17,2)
		Steel	300 (20,7)	300 (20,7)
		Stainless Steel	300 (20,7)	300 (20,7)
Type 95HP	All Sizes	Steel	600 (41,4)	600 (41,4)
		Stainless Steel	600 (41,4)	550 (37,9)
Type 95HT	1/4 to 1 (DN 25)	Steel	600 (41,4)	600 (41,4)
		Stainless Steel	600 (41,4)	550 (37,9)
	1-1/2, 2 (DN 40, 50)	Steel	600 (41,4)	450 (31,0)
		Stainless Steel	600 (41,4)	450 (31,0)

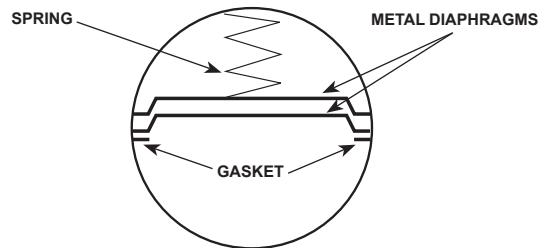
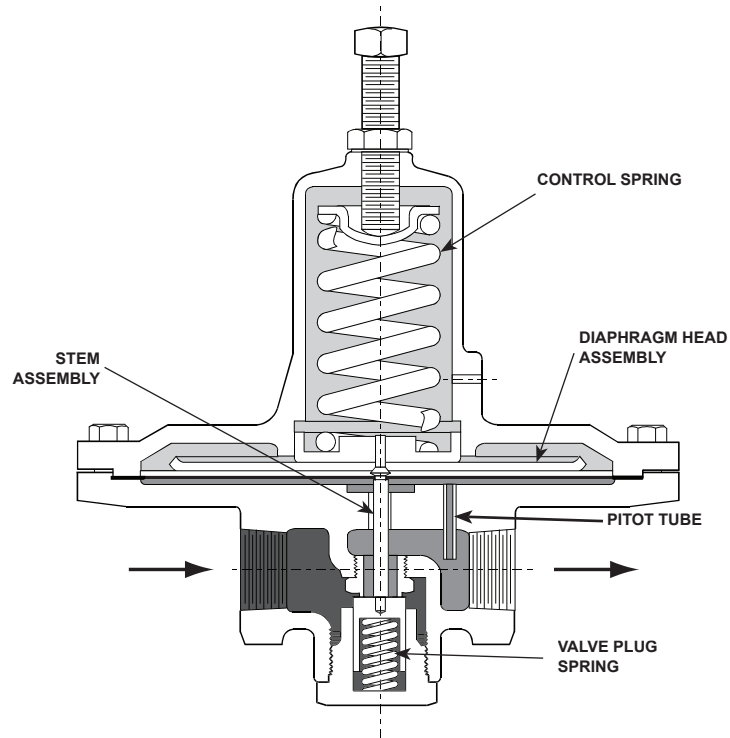
1. The pressure limits in this Instruction Manual, and any applicable standard or code limitation should not be exceeded.
2. Temperature and/or the body end connection may decrease these maximum pressures.

Table 3. Torque Specifications

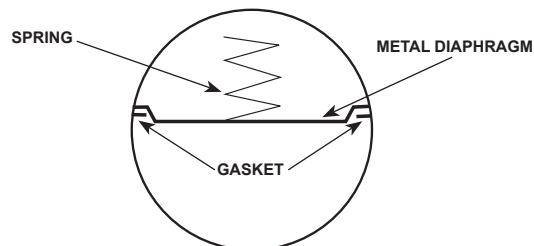
BODY SIZE, NPS (DN)	SPRING CASE BOLTS ⁽¹⁾	ORIFICE	PLUG GUIDE
	Foot-pounds (N•m)		
1/4 1/2 (15) 3/4, 1 (20, 25) 1-1/2, 2 (40, 50)	6 to 8 (8,1 to 11)	8 to 12 (11 to 16)	42 to 58 (57 to 79)
	10 to 13 (13 to 18)	29 to 35 (39 to 47)	70 to 90 (95 to 122)
	24 to 30 (33 to 41)	33 to 42 (45 to 57)	130 to 160 (176 to 217)
	40 to 50 (54 to 68)	140 to 170 (190 to 230)	170 to 200 (230 to 271)

1. Reduce spring case bolt's torque by 30% when using Ethylenepropylene (EPDM) diaphragms.

Types 95L, 95H, 95HP, and 95HT



TYPE 95L WITH 2 METAL DIAPHRAGMS
(ALSO TYPICAL OF TYPE 95H OR 95HT, EXCEPT
ONLY TYPE 95L, NPS 1/4, 2 TO 6 PSI (0,14 to 0,41 bar) RANGE)



TYPE 95L (NPS 1/4, 2 TO 6 PSI (0,14 to 0,41 bar) RANGE)
WITH METAL DIAPHRAGM

Figure 2. Type 95L with Metal Seat and Diaphragm Operational Schematic (Also Typical of Type 95H or 95HT)

Types 95L, 95H, 95HP, and 95HT

from NPS 1/4 through 1 (DN 25) with a variety of end connections. The standard orifice sizes are 1/4, 3/8, and 9/16-inch (6,4; 9,5; and 14 mm) diameter, dependent on body sizes.

Type 95H—Basically the same as Type 95L, but permits higher outlet pressure ranges from 15 to 150 psig (1,0 to 10,3 bar) for the NPS 1/4, 1/2, 3/4, and 1 (DN 15, 20, and 25) sizes. Also available in NPS 1-1/2 and 2 sizes with a 1-1/16-inch (27 mm) orifice to give outlet pressure ranges from 5 to 150 psig (0,34 to 10,3 bar).

Type 95HP—Basically the same as Type 95H, but permits even higher outlet pressure ranges from 15 to 400 psig (1,0 to 27,6 bar).

Type 95HT—Basically the same as Type 95H, but permits higher outlet pressures at higher temperatures. Outlet pressure ranges are available from 15 to 300 psig (1,0 to 20,7 bar) and temperatures up to 650°F (343°C).

Principle of Operation

The 95 Series (refer to Figure 2) is a direct-operated regulator. Downstream pressure is registered internally through the body to the under side of the diaphragm. When the downstream pressure is at or above the set pressure, the disk is held against the orifice, and there is no flow through the regulator. When demand increases, downstream pressure drops slightly allowing the spring to extend, moving the stem down and the disk away from the orifice. This allows flow through the body to the downstream system. Types 95H, 95L, 95HP, and 95HT use spring force to regulate outlet pressure.

Installation

Clean out all pipelines before installation of the regulator and check to be sure the regulator has not been damaged or collected foreign material during shipping. Apply pipe compound to the external pipe threads and install the regulator in any position desired, but be sure flow through the body is in the direction indicated by the arrow cast on the body.

Note

It is important that the regulator be installed so that the vent hole in the spring case is unobstructed at all times. For outdoor installations, the regulator should be located away from vehicular traffic and positioned so that water, ice, and other foreign materials cannot enter the spring case through the vent. Avoid

placing the regulator beneath eaves or downspouts, and be sure it is above the probable snow level.

On NPS 1-1/2 or 2 (DN 40 or 50) 95H Series regulators, the spring case vent is tapped so a vent line can be connected to provide venting to a remote location. On NPS 1/4, 1/2, 3/4, and 1 (DN 15, 20, and 25) 95H Series body sizes, the tapped vent option is available on request. The exposed end of the vent pipe should be protected with a weather and insect resistant vent assembly.

All vents and remote vent lines should be checked periodically to ensure that they are unobstructed.

Overpressure Protection

The Types 95L, 95H, 95HP, and 95HT regulators have an outlet pressure rating lower than the inlet pressure rating. The recommended pressure limitations are stamped on the regulator nameplate. Some type of overpressure protection is needed if the actual inlet pressure exceeds the maximum operating outlet pressure rating. Overpressure protection should also be provided if the regulator inlet pressure is greater than the safe working pressure of downstream equipment.

Some type of external overpressure protection should be provided if inlet pressure will be high enough to damage downstream equipment. Common methods of external overpressure protection include relief valves, monitoring regulators, shutoff devices, and series regulation.

Regulator operation below the maximum pressure limitations does not preclude the possibility of damage from external sources or from debris in the pipeline. If the regulator is exposed to an overpressure condition, it should be inspected for any damage that may have occurred.

Startup

The regulator is set at the factory for the setpoint specified on the order, so no initial adjustment should be required to give the desired results. With proper installation completed and relief valves properly adjusted, slowly open the upstream and downstream shutoff valves.

Adjustment

The factory setting of the regulator can be varied within the pressure range stamped on the nameplate. To

Types 95L, 95H, 95HP, and 95HT

change the outlet pressure, loosen the locknut (key 17, Figure 3, 4, or 5) and turn the adjusting screw (key 15, Figure 3, 4, or 5) clockwise to increase outlet pressure, or counterclockwise to decrease it. Monitor the outlet pressure with a test gauge during the adjustment. Tighten the locknut to maintain the desired setting.

All regulator springs can be backed off to provide zero outlet. Recommended outlet pressure ranges available, maximum inlet pressures and temperatures, and color codes of the respective springs are shown in Tables 1 and 2.

Shutdown

Close the upstream shutoff valve. Close downstream shutoff valve. Open bleed valve between the regulator and the downstream shutoff valve. Without changing regulator spring adjustment, all pressure between the upstream and downstream shutoff valves will be released through the bleed valve, since the Type 95L or 95H regulator opens in response to the decreased outlet pressure.

Maintenance



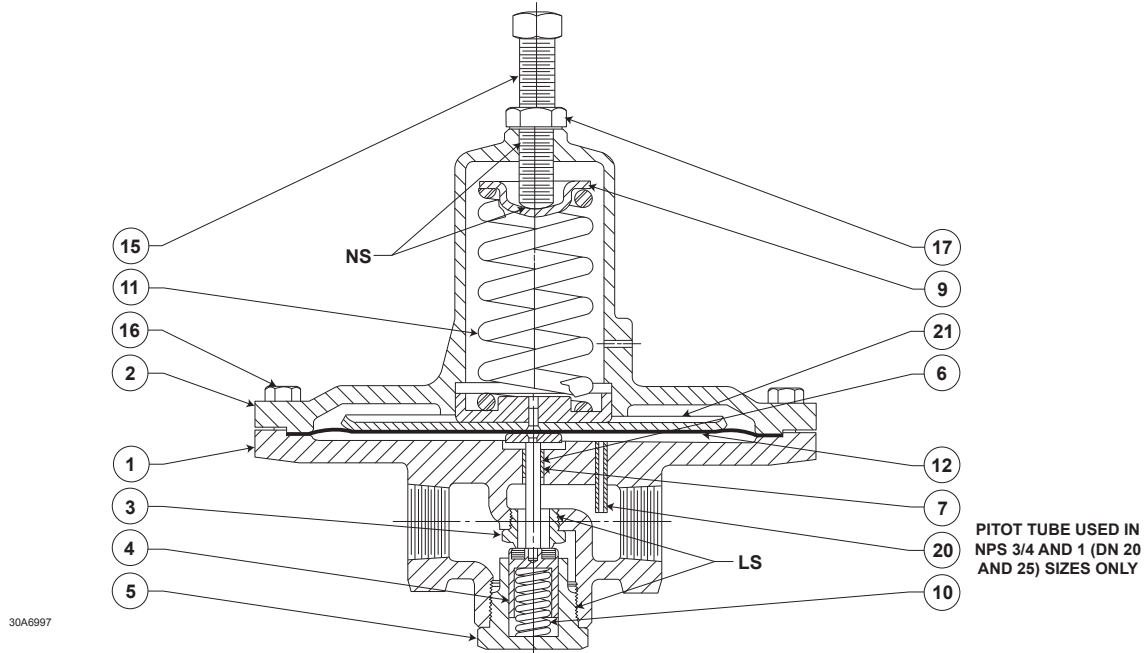
WARNING

To avoid personal injury, property damage, or equipment damage caused by sudden release of pressure or explosion of accumulated gas, do not attempt any maintenance or disassembly without first isolating the regulator from system pressure and relieving all internal pressure from the regulator.

Due to normal wear that may occur, parts must be periodically inspected and replaced if necessary. The frequency of inspection depends on the severity of service conditions. This section includes instructions for disassembly and replacement of parts. All key numbers refer to Figures 3, 4, and 5.

1. Unscrew the valve plug guide (key 5) from the body (key 1). The valve plug spring (key 10) and the valve plug (key 4) will normally come out of the body along with the valve plug guide. On NPS 1-1/2 or 2 (DN 40 or 50) units the stem (key 6, Figure 5) will also come out of the regulator body.
2. Inspect the seating surface of the valve plug (key 4), make sure that the elastomer, PTFE or polished metal surface of the valve plug is not damaged. Replace if damage is noted.
3. Inspect the seating edge of the orifice (key 3). If damage is noted, unscrew the orifice from the body and replace it with a new part. Torque per Table 3. If no further maintenance is required, reassemble the regulator in the reverse of the above steps. When installing the valve plug guide (key 5) coat the threads and sealing surface with sealant to ensure an adequate metal-to-metal seal. Reassembly torque per Table 3.
4. If diaphragm damage is suspected, or to inspect the diaphragm or other internal parts, loosen the locknut (key 17) and turn the adjusting screw (key 15) to remove all spring compression.
Steps 5 and 6 apply to Type 95L and sizes NPS 1/4 to 1 (DN 25) of the 95H Series. If the unit being disassembled is an NPS 1-1/2 to 2 (DN 40 and 50) size Type 95H, HP, or HT, proceed to steps 7 and 8.
5. Remove the diaphragm case cap screws (key 16) and lift off the spring case (key 2). Remove the upper spring seat (key 9) and regulator spring (key 11). On NPS 1/4 to 1 (DN 25) sizes Type 95H units only, remove the lower spring seat (key 8). On Type 95L units, remove the diaphragm head assembly (key 21).
6. Remove the diaphragm(s) and examine for damage. Replace if damage is noted. Note that if the diaphragm is metal, two diaphragms should be used except for Type 95L, NPS 1/4 with 2 to 6 psi (0,14 to 0,41 bar) spring range which uses only one metal diaphragm.
7. Remove the diaphragm-diaphragm head assembly. It can be disassembled for inspection of the diaphragm (key 12) and two small diaphragm gaskets (key 47) or O-ring (key 45). Remove the locknut (key 31) from the pusher post (key 30) and separate the assembly. An O-ring is used to seal around the pusher post if an elastomer diaphragm is used, and the gaskets are used with stainless steel diaphragm(s).
8. Unscrew and remove the stem guide bushing (key 7). An O-ring (key 51) held in place by the packing follower (key 50) can then be examined for damage.
9. With diaphragm(s) removed, check to be sure the pressure registration hole (pitot tube, key 20, in NPS 3/4 (DN 20) and larger sizes) is completely open and free of all obstructions.
10. If the unit has metal diaphragms,
 - a. (Applicable only for the lower diaphragm head of Type 95H/HT, NPS 1-1/2 to 2)

Types 95L, 95H, 95HP, and 95HT



NS - NEVER-SEEZ®
LS - LEAD SEAL

PARTS NOT SHOWN:
13, 18, AND 14

Figure 3. Type 95L with Elastomer Seat, NPS 1/4 to 1 (DN 25) Sizes Assembly

Find the pusher post (key 30) and place on a surface with the larger flat surface down and the thread stem up (metal diaphragm pusher post has a recessed diameter in the bottom surface). Then, find one smaller elastomer (or graphite) gaskets (key 47) and fit it over the threaded end of the pusher post. Find and take one of the diaphragm heads and slip it over the threaded end of the pusher post with the chamfered side of the diaphragm head toward the gasket. Take a second gasket and place it over the threaded end of the pusher post on top of the diaphragm head.

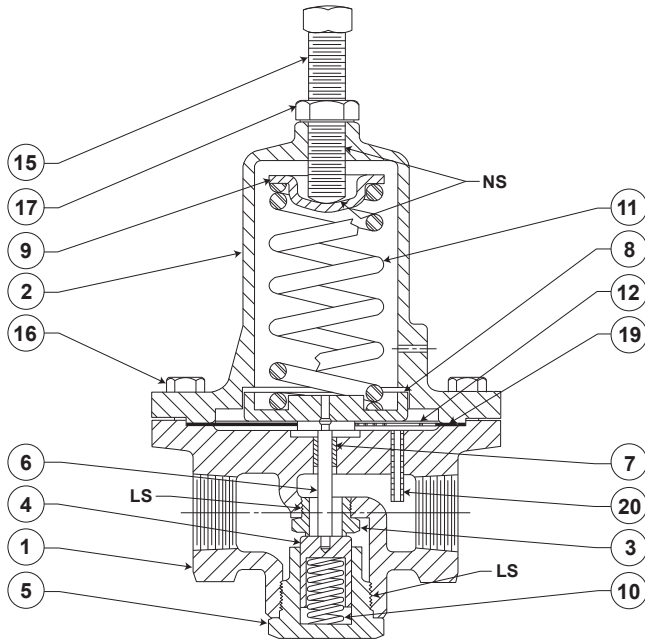
- b. Replace the large diaphragm gasket (key 19) on the surface of the body that will support the diaphragms. There will be two diaphragms used per regulator, except for 95L, NPS 1/4 with 2 to 6 psi (0,14 to 0,41 bar) outlet setting which uses only one metal diaphragm. The raised surfaces of the metal diaphragms

should be placed in the unit so that they are facing toward the assembler (toward the spring) except only when one diaphragm is being used then the raised surface should be facing down (towards the body). See Figures 2 and 4 as references.

11. Reassemble in the reverse of the above procedures. Lubricate the upper spring seat and the exposed threads of the adjusting screw with Anti-Seize lubricant.

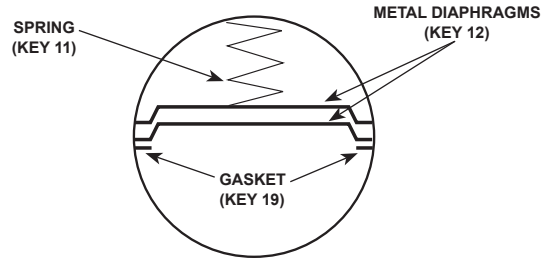
Before tightening cap screws (key 16) be sure to install the adjusting screw, if completely removed, and turn it down so that diaphragm slack is obtained. This allows proper positioning of the diaphragm to permit full travel of the valve plug. Torque diaphragm cap screws per Table 3. Complete reassembly procedures and turn the adjusting screw to produce the desired outlet pressure. Tighten the locknut to maintain the desired setting.

Types 95L, 95H, 95HP, and 95HT



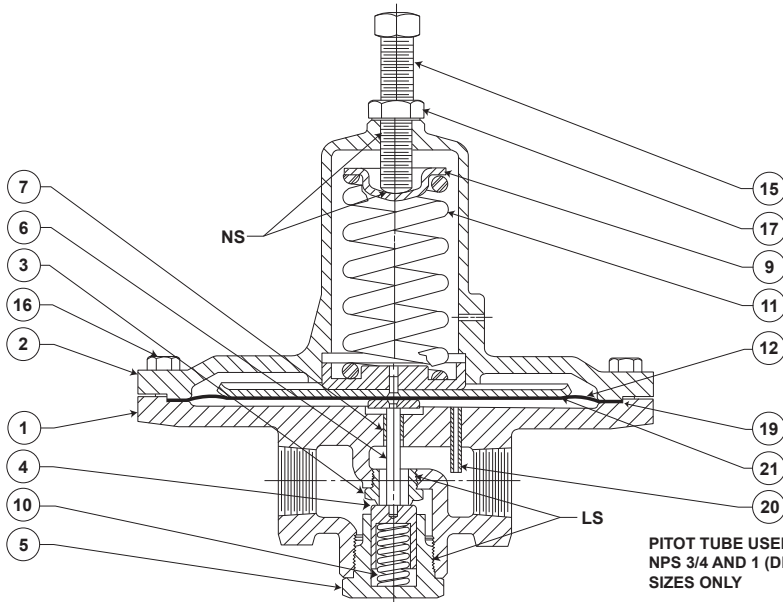
30A7000

TYPE 95H



TYPE 95H WITH 2 METAL DIAPHRAGMS

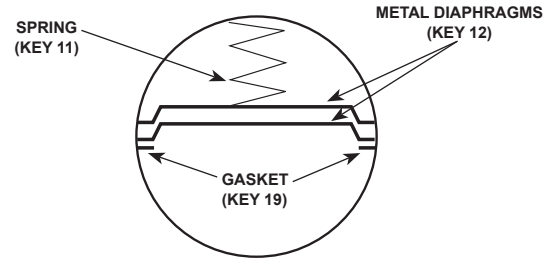
PITOT TUBE USED IN
NPS 3/4 AND 1 (DN 20 AND 25)
SIZES ONLY



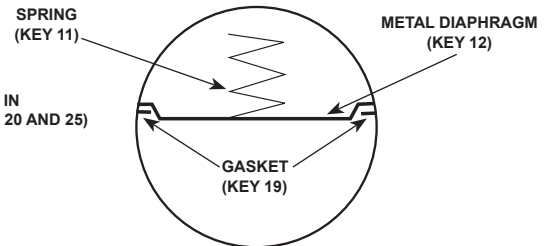
30A6996_B

PARTS NOT SHOWN:
13, 18, AND 14

TYPE 95L



TYPE 95L WITH 2 METAL DIAPHRAGMS
(EXCEPT ONLY TYPE 95L,
NPS 1/4, 2 TO 6 PSI (0,14 to 0,41 bar) RANGE)



TYPE 95L (NPS 1/4, 2 TO 6 PSI (0,14 to 0,41 bar) RANGE)
WITH METAL DIAPHRAGM

NS - NEVER-SEEZ®
LS - LEAD SEAL

Figure 4. 95 Series with Metal Seat Assemblies

Types 95L, 95H, 95HP, and 95HT

Parts Ordering

When corresponding with your local Sales Office about this equipment, always reference the equipment serial number or FS number that can be found on the nameplate.

When ordering replacement parts, reference the key number of each needed part as found in the following parts list. Separate kits containing all recommended spare parts are available.

Parts List

Note

In this parts list, parts marked NACE are intended for corrosion-resistant service as detailed in the NACE International Standard MR0175.

Key	Description	Part Number
	Parts Kit (Included are keys 3, 4, 10, 12, and 19 (for All Metal Trim only)) Types 95H and 95HP For Brass and Neoprene (CR) Trim, NPS 1/4 body NPS 1/2 (DN 15) body NPS 3/4 and 1 (DN 20 and 25) bodies For 416 Stainless Steel and Neoprene (CR) Trim, NPS 1/4 body NPS 1/2 (DN 15) body NPS 3/4 and 1 (DN 20 and 25) bodies NPS 1-1/2 and 2 (DN 40 and 50) bodies For All Metal Trim, NPS 1/4 body NPS 1/2 (DN 15) body NPS 3/4 and 1 (DN 20 and 25) bodies NPS 1-1/2 and 2 (DN 40 and 50) bodies Extra parts for NPS 1-1/2 and 2 (DN 40 and 50) bodies include keys 47, 51, and 52 Type 95L For Brass and Neoprene (CR) Trim, NPS 1/4 body NPS 1/2 (DN 15) body NPS 3/4 and 1 (DN 20 and 25) bodies For 416 Stainless Steel and Neoprene (CR) Trim, NPS 1/4 body NPS 1/2 (DN 15) body NPS 3/4 and 1 (DN 20 and 25) bodies For All Metal Trim, Trim 1 or 4A NPS 1/4 body NPS 1/2 (DN 15) body NPS 3/4 and 1 (DN 20 and 25) bodies Type 95HT, All Metal Trim, NPS 1/4 body NPS 1/2 (DN 15) body NPS 3/4 and 1 (DN 20 and 25) bodies NPS 1-1/2 and 2 (DN 40 and 50) bodies 1 Regulator Body 2 Spring Case	R95HX000012 R95HX000022 R95HX000032 R95HX000102 R95HX000112 R95HX000122 R95HX000042 R95HX000052 R95HX000062 R95HX000072 R95HX000082 R95LX000012 R95LX000022 R95LX000032 R95LX000102 R95LX000112 R95LX000122 R95LX000042 R95LX000052 R95LX000062 R95HTX00012 R95HTX00022 R95HTX00032 R95HTX00042 See Following Table See Following Table
3*	Orifice Metal Seat (Types 95L, 95H, and 95HT) 416 Stainless Steel NPS 1/4 body NPS 1/2 (DN 15) body NPS 3/4 and 1 (DN 20 and 25) bodies NPS 1-1/2 and 2 (DN 40 and 50) bodies 316 Stainless Steel NPS 1/4 body NPS 1/2 (DN 15) body NPS 3/4 and 1 (DN 20 and 25) bodies NPS 1-1/2 and 2 (DN 40 and 50) bodies Brass NPS 1-1/2 and 2 Elastomer Seat (Types 95L, 95H, and 95HP) Brass (Types 95L and 95H only) NPS 1/4 body NPS 1/2 (DN 15) body NPS 3/4 and 1 (20 and 25) bodies NPS 1-1/2 and 2 (DN 40 and 50) bodies 416 Stainless Steel NPS 1/4 body NPS 1/2 (DN 15) body NPS 3/4 and 1 (20 and 25) bodies NPS 1-1/2 and 2 (DN 40 and 50) bodies 316 Stainless Steel, NACE NPS 1/4 body NPS 1/2 (DN 15) body NPS 3/4 and 1 (20 and 25) bodies NPS 1-1/2 and 2 (DN 40 and 50) bodies NPS 1-1/2 and 2 (DN 40 and 50) bodies, NACE	1E391646172 1E395046172 1E398046172 2P787046172 1E391635072 1E395035072 1E398035072 2P787035072 2P787046172 1E393214012 1E396214012 1E399514012 1P7860X0092 1E393235132 1E396235132 1E399535132 1P786035132 1E393235072 1E396235072 1E399535072 1P7860X00A2 1P7860X00A2
4*	Valve Plug	See Following Table
5	Valve Plug Guide NPS 1/4 body NPS 1/2 (DN 15) body NPS 3/4 and 1 (DN 20 and 25) bodies NPS 1-1/2 and 2 (DN 40 and 50) bodies 416 Stainless Steel NPS 1/4 body NPS 1/2 (DN 15) body NPS 3/4 and 1 (DN 20 and 25) bodies NPS 1-1/2 and 2 (DN 40 and 50) bodies 316 Stainless Steel, NACE NPS 1/4 body NPS 1/2 (DN 15) body NPS 3/4 and 1 (DN 20 and 25) bodies NPS 1-1/2 and 2 (DN 40 and 50) bodies 304 Stainless Steel NPS 1-1/2 and 2 (DN 40 and 50) bodies Type 95H Type 95HP/HT	1E391814012 1E395214012 1E398214012 19B9067X022 1E391835132 1E395235132 1E398235132 19B9067X012 1E391835072 1E395235072 1E398235072 19B9067X102 19B9067X092 19B9067X012
6	Stem Assembly 416 Stainless Steel NPS 1/4 body NPS 1/2 (DN 15) body NPS 3/4 and 1 (DN 20 and 25) bodies 316 Stainless Steel NPS 1/4 body NPS 1/2 body NPS 3/4 and 1 316 Stainless Steel, NACE NPS 1/2 (DN 15) body NPS 3/4 and 1 (DN 20 and 25) bodies 6 Stem 416 Stainless Steel NPS 1-1/2 and 2 (DN 40 and 50) bodies 316 Stainless Steel, NACE NPS 1-1/2 and 2 (DN 40 and 50) bodies	1F2113000A2 1F2114000A2 1F2115000A2 1F2113000C2 1F2114000C2 1F2115000C2 1F2114X0082 1F2115000C2 1P785335232 1P7853X00A2

*Recommended spare parts

Types 95L, 95H, 95HP, and 95HT

Key	Description	Part Number	Key	Description	Part Number
6	Stem (continued)		8	Lower Spring Seat (continued)	
	316 Stainless steel			Types 95HP and 95HT only	
	NPS 1-1/2 and 2 (DN 40 and 50)	1P785335252		NPS 1/4 body	14B9947X012
	304 Stainless steel			NPS 1/2 (DN 15) body	14B9948X012
	NPS 1-1/2 and 2 (DN 40 and 50)	1P785335042		NPS 3/4 and 1 (DN 20 and 25) bodies	17B8733X012
7	Stem Guide Bushing		9	Upper Spring Seat, Steel	
	416 Stainless Steel			Types 95L and 95H only	
	NPS 1/4 and 1/2 (DN 15) bodies	1E392235132		NPS 1/4 body	1B798525062
	NPS 3/4 and 1 (DN 20 and 25) bodies	1E398535132		NPS 1/2 (DN 15) body	1D667125072
	NPS 1-1/2 and 2 (DN 40 and 50) bodies	1P785435132		NPS 3/4 and 1 (20 and 25) bodies	1E398725072
	304 Stainless Steel			NPS 1-1/2 and 2 body (40 and 50) bodies	1P787624092
	NPS 1-1/2 and 2 (DN 40 and 50) bodies	1P785435042		Types 95HP and 95HT only	
	316 Stainless Steel, NACE			NPS 1/4 body	14B9950X012
	NPS 1/4 and 1/2 (DN 15) bodies	1E392235072		NPS 1/2 (DN 15) body	14B9951X012
	NPS 3/4 and 1 (DN 20 and 25) bodies	1E398535072		NPS 3/4 and 1 (DN 20 and 25) bodies	14B9952X012
	NPS 1-1/2 and 2 (DN 40 and 50) bodies	1P7854X00A2		NPS 1-1/2 and 2 (DN 40 and 50) bodies	1P787624092
8	Lower Spring Seat		10	Valve Plug Spring	
	Type 95H only			Stainless Steel	
	NPS 1/4 body	1E392309012		NPS 1/4 body	1E392437022
	NPS 1/2 (DN 15) body	1E395408012		NPS 1/2 (DN 15) body	1E395537022
	NPS 3/4 and 1 (DN 20 and 25) bodies	1E398608012		NPS 3/4 and 1 (DN 20 and 25) bodies	1E398837022
	NPS 1-1/2 and 2 (DN 40 and 50) bodies	1P787724152		NPS 1-1/2 and 2 (DN 40 and 50) bodies,	1P785837012

Key 1, Regulator Body Part Numbers

BODY SIZE, NPS (DN)	BODY MATERIAL								
	Cast Iron	Steel				Stainless Steel			
	NPT	NPT	SWE	CL150	CL300	NPT	SWE	CL150	CL300
TYPE 95L									
1/4	1E391119012	1J127722012	----	----	----	1J127733092	----	----	----
1/2 (15)	2E394519012	2L908022012	2P518522012	2V5673X0022	20A4569X012	2L908033092	2P5185X0012	2V5673X0012	20A4569X022
3/4 (20)	2E397419012	2E863722012	2K632722012	2V4262X0012	20A3088X012	2E863733092	2K632733092	2V4262X0022	20A3088X032
1 (25)	2E397519012	2E863822012	2H160622012	2V3546X00A2	2U7969X0022	2E863833092	2H1606X00A2	2V3546X0012	2U7969X0092
TYPE 95H									
1/4	1E391019012	1J127322012	----	----	----	1J127333092	----	----	----
1/2 (15)	1E394319012	2L907722012	2N693922012	16A6787X012	12B5376X012	2L907733092	2N6939X0012	16A6787X022	12B5376X022
3/4 (20)	2E397219012	2E408422012	2H852022012	2V9941X0012	20A4013X012	2E408433092	2H8520X00A2	2V9941X0032	20A4013X022
1 (25)	2E397319012	2E408522012	2F485522012	2V3879X00A2	2V3944X0012	2E408533092	2F4855X0012	2V3879X0012	2V3944X0042
1-1/2 (40)	3P784319012	3P784322012	3V388022012	1V4939X0012	2V3881X0012	3P784333092	3V388033092	1V4939X0032	2V3881X0062
2 (50)	3P784219012	3P784222012	3V279622012	2V5703X0012	20A1091X012	3P784233092	3V2796X0012	2V5703X0032	20A1091X022
TYPE 95HP									
1/4	----	1J127322012	----	----	----	1J127333092	----	----	----
1/2 (15)	----	2L907722012	2N693922012	16A6787X012	12B5376X012	2L907733092	2N6939X0012	16A6787X022	12B5376X022
3/4 (20)	----	2E408422012	2H852022012	2V9941X0012	20A4013X012	2E408433092	2H8520X00A2	2V9941X0032	20A4013X022
1 (25)	----	2E408522012	2F485522012	2V3879X00A2	2V3944X0012	2E408533092	2F4855X0012	2V3879X0012	2V3944X0042
1-1/2 (40)	----	3P784322012	3V388022012	1V4939X0012	2V3881X0012	3P784333092	3V388033092	1V4939X0032	2V3881X0062
2 (50)	----	3P784222012	3V279622012	2V5703X0012	20A1091X012	3P784233092	3V2796X0012	2V5703X0032	20A1091X022
TYPE 95HT									
1/4	----	1J127322012	----	----	----	1J127333092	----	----	----
1/2 (15)	----	2L907722012	2N693922012	16A6787X012	12B5376X012	2L907733092	2N6939X0012	16A6787X022	12B5376X022
3/4 (20)	----	2E408422012	2H852022012	2V9941X0012	20A4013X012	2E408433092	2H8520X00A2	2V9941X0032	20A4013X022
1 (25)	----	2E408522012	2F485522012	2V3879X00A2	2V3944X0012	2E408533092	2F4855X0012	2V3879X0012	2V3944X0042
1-1/2 (40)	----	3P784322012	3V388022012	1V4939X0012	2V3881X0012	3P784333092	3V388033092	1V4939X0032	2V3881X0062
2 (50)	----	3P784222012	3V279622012	2V5703X0012	20A1091X012	3P784233092	3V2796X0012	2V5703X0032	20A1091X022

Inconel® is a mark owned by Special Metals Corporation.

Types 95L, 95H, 95HP, and 95HT

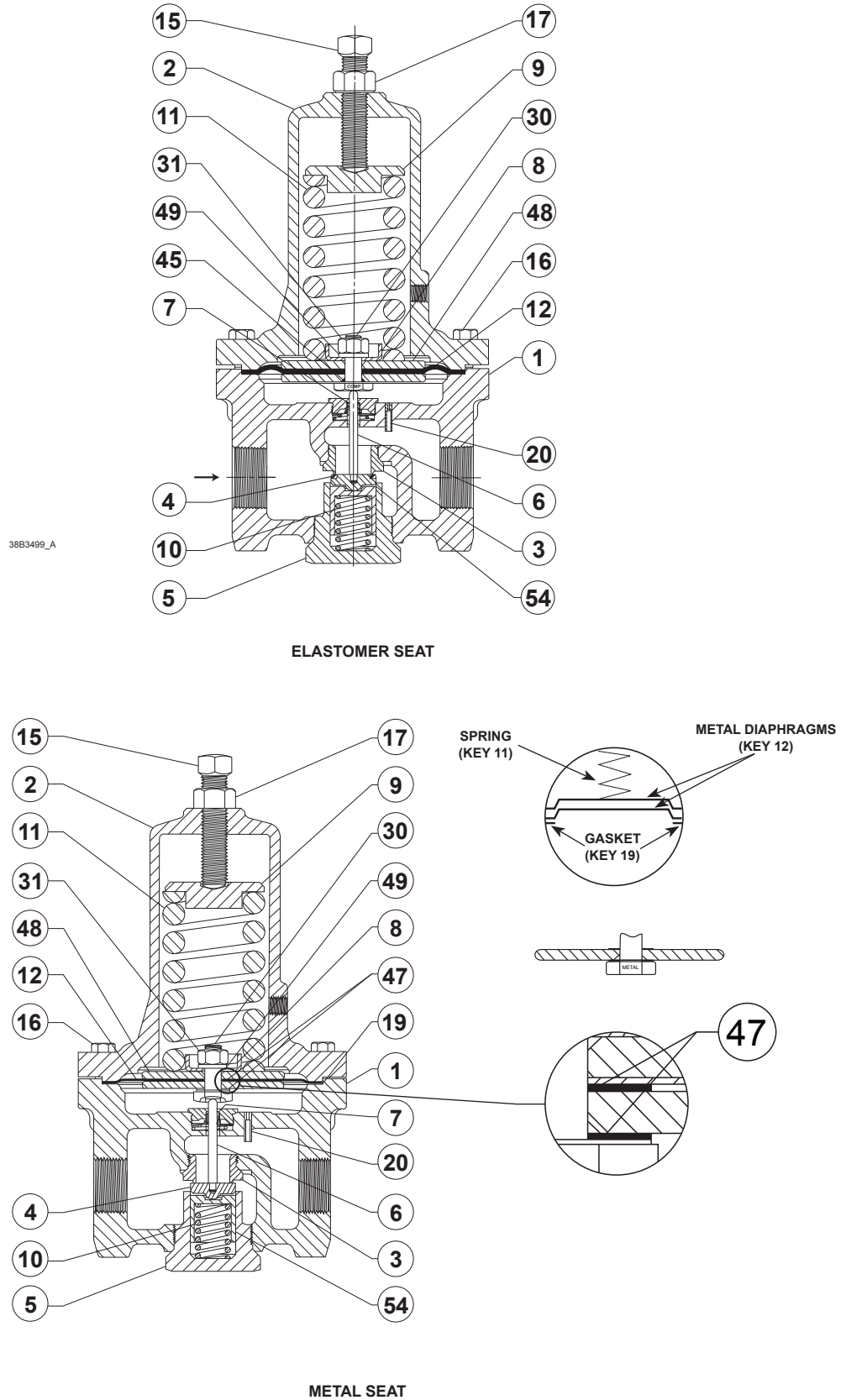


Figure 5. 95H Series, NPS 1-1/2 and 2 (DN 40 and 50) Sizes Assemblies (Also Typical of 95HT)

Types 95L, 95H, 95HP, and 95HT

Key	Description	Part Number	Key	Description	Part Number
10	Valve Plug Spring (continued) NACE, Inconel® NPS 1/4 body NPS 1/2 (DN 15) body NPS 3/4 and 1 (DN 20 and 25) bodies NPS 1-1/2 and 2 (DN 40 and 50) bodies	19A2862X012 19A2861X012 1P8443X0012 19A7371X012	16	Cap Screw, Steel (continued) Types 95HP and 95HT NPS 1/4 body (6 required) NPS 1/2 (DN 15) body (8 required) NPS 3/4 and 1 (DN 20 and 25) bodies (8 required) NPS 1-1/2 and 2 (DN 40 and 50) bodies (8 required)	1A3917X0132 1A3816X0242 1A3418X0362 1K5684X0222
11	Regulator Spring	See Following Table	17	Locknut, Steel NPS 1/4 body NPS 1/2 (DN 15) body NPS 3/4 and 1 (DN 20 and 25) bodies NPS 1-1/2 and 2 (DN 40 and 50) bodies	1A352224122 1A353724122 1A319224122 1A368124112
12*	Diaphragm	See Following Table	18	Drive Screw, Stainless Steel (2 required)	1A368228982
14	Diaphragm Protector, PTFE NPS 1/4 body Type 95L Type 95H NPS 1/2 (DN 15) body Type 95L Type 95H NPS 3/4 and 1 (DN 20 and 25) bodies Type 95L Type 95H NPS 1-1/2 and 2 Type 95H	11A5126X012 11A5129X012 11A5127X012 11A5130X012 11A5128X012 11A5131X012 11A5527X012	19*	Diaphragm Gasket, Types 95L and 95H use composition, Type 95HT uses graphite (Use with metal diaphragm) NPS 1/4 body Type 95L Type 95H Type 95HT NPS 1/2 (DN 15) body Type 95L Type 95H Type 95HT NPS 3/4 and 1 (DN 20 and 25) bodies Type 95L Type 95H Type 95HT NPS 1-1/2 and 2 (DN 40 and 50) bodies Type 95H Type 95HT	1E394004022 1E393104022 1E3931X0012 1E397004022 1E396104022 1E3961X0012 1E390404022 1E399304022 1E3993X0012 1P787904022 1P7879X0012
15	Adjusting Screw, Steel NPS 1/4 body NPS 1/2 (DN 15) body NPS 1/2 (DN 15) body with handwheel NPS 3/4 and 1 (DN 20 and 25) bodies NPS 1-1/2 and 2 (DN 40 and 50) bodies	1E639928992 1D995448702 1J496428982 1A330828982 1A680128992	20	Pitot Tube NPS 3/4 and 1 (DN 20 and 25) bodies Copper (Types 95L and 95H only) 304 Stainless Steel 316 Stainless Steel, NACE NPS 1-1/2 and 2 (DN 40 and 50) bodies Copper (Types 95L and 95H only) 304 Stainless Steel 316 Stainless Steel, NACE	1E399417012 1E399438072 1E399438092 1P7856X0032 1P785638072 1P7856X0012
16	Cap Screw, Steel Type 95L NPS 1/4 body (10 required) NPS 1/2 (DN 15) body (10 required) NPS 3/4 and 1 (DN 20 and 25) bodies (12 required) Type 95H Cast Iron bodies NPS 1/4 body (6 required) NPS 1/2 (DN 15) body (8 required) NPS 3/4 and 1 (DN 20 and 25) bodies (8 required) NPS 1-1/2 and 2 (DN 40 and 50) bodies (8 required) Steel or Stainless Steel bodies NPS 1/4 body (6 required) NPS 1/2 (DN 15) body (8 required) NPS 3/4 and 1 (DN 20 and 25) bodies (8 required) NPS 1-1/2 and 2 (DN 40 and 50) bodies (8 required)	1A407824052 1A381624052 1A336924052 1A407824052 1A381624052 1A336924052 1K568428982 1A391724052 1A381624052 1A341824052 1K568428982	21	Diaphragm Head Assembly, Type 95L only Aluminum and Stainless Steel NPS 1/4 body NPS 1/2 (DN 15) body NPS 3/4 and 1 (DN 20 and 25) bodies	1E3936X0012 1E3967X0012 1E3907X0012

Key 2, Spring Case Part Numbers

BODY SIZE, NPS (DN)	VENT STYLE	TYPE 95L			TYPE 95H		
		Cast Iron	Steel	Stainless Steel	Cast Iron	Steel	Stainless Steel
1/4	Drilled	2E391319012	2J127922012	2J1279X0022	2E391219012	2J127522012	2J1275X0012
	Tapped	----	2L442822012	2L4428X0012	2L442919012	2L443022012	2L4430X0012
1/2 (15)	Drilled	3J496319012	3L416122012	3L4161X0022	2J496219012	2L416322012	2L416333092
	Tapped	3L442119012	3L442222012	3L4422X0012	2L441919012	----	2L4420X0012
3/4 or 1 (20 or 25)	Drilled	4E397919012	4E592922012	4E592933092	3E397819012	3E408722012	3E4087X0012
	Tapped	4L461019012	4L460922012	4L4609X0032	3L460819012	3L460722012	3L4607X0022
1-1/2 or 2 (40 or 50)	Tapped	----	----	----	4P784019012	3P790422012	3P7904X0012

*Recommended spare parts

Types 95L, 95H, 95HP, and 95HT

Key	Description	Part Number	Key	Description	Part Number
22	Adjusting Screw Assembly Steel (for tee-handle construction) NPS 1/4 body	1F2236000A2	48	Diaphragm Head (2 required) Type 95H, Steel	1P788225012
	NPS 3/4 and 1 (DN 20 and 25) bodies	1F2238000A2		Stainless Steel	1P788235072
	NPS 1-1/2 and 2 (DN 40 and 50) bodies	1V4372X0012		Types 95HP and 95HT, Stainless Steel	1P788235072
23	Handwheel, Zinc (NPS 1/2 (DN 15) body)	1J496144012	49	Lockwasher, Steel	1A487828992
24	Machine Screw, Steel (handwheel construction)	16A5763X012	50	Packing Follower 416 Stainless Steel	1P785535232
25	Lockwasher, Steel (handwheel construction)	1A352332992		316 Stainless Steel, NACE	1P7855X00A2
	The following parts are for the NPS 1-1/2 and 2 (DN 40 and 50) Types 95H, 95HP and 95HT only			304 Stainless Steel	1P785535042
30	Pusher Post, Stainless Steel		51*	O-Ring, PTFE	1P785906242
	Elastomer seat, 416 Stainless Steel	1P784935132	52	Spring, Stainless Steel	1P785737012
	Metal seat, 416 Stainless Steel	1P785135132	54	Inner Valve Base 416 Stainless Steel	1U404046172
	304 Stainless Steel	1P785135042		316 Stainless Steel, NACE	1U4040X00A2
	316 Stainless Steel	1P7851X0012		304 Stainless Steel	1U404035042
	316 Stainless Steel, NACE	1P7849X00A2	56	NACE Tag	-----
31	Locknut, Steel	1P788724122	57	Tag Wire	-----
45*	O-Ring, Nitrile (NBR) (Use with Neoprene (CR) diaphragm)	1C782206992			
47*	Diaphragm Gasket Use with metal diaphragm (2 required) Type 95H (NPS 1-1/2 to 2 (DN 40 to 50) only), Composition	1P788004022			
	Type 95HT (NPS 1-1/2 to 2 (DN 40 to 50) only), Graphite	1P7880X0012			

Key 2, Spring Case Part Numbers (continued)

BODY SIZE, NPS (DN)	VENT STYLE	TYPE 95HP		TYPE 95HT	
		Steel	Stainless Steel	Steel	Stainless Steel
1/4	Drilled	2J127522012	2J1275X0012	2J127522012	2J1275X0012
	Tapped	2L443022012	2L4430X0012	2L443022012	2L4430X0012
1/2 (15)	Drilled	2L416322012	2L416333092	2L416322012	2L416333092
	Tapped	----	2L4420X0012	----	2L4420X0012
3/4 or 1 (20 or 25)	Drilled	3E408722012	3E4087X0012	3E408722012	3E4087X0012
	Tapped	3L460722012	3L4607X0022	3L460722012	3L4607X0022
1-1/2 or 2 (40 or 50)	Tapped	3P790422012	3P7904X0012	3P790422012	3P7904X0012

*Recommended spare parts

Types 95L, 95H, 95HP, and 95HT

Key 4, Valve Plug Part Numbers

VALVE PLUG MATERIAL	BODY SIZE, NPS (DN)			
	1/4	1/2 (15)	3/4 and 1 (20 and 25)	1-1/2 and 2 (40 and 50)
Metal Seat (Types 95L, 95H, and 95HT)				
416 SST	1E391746172	1E395146172	1E398146172	1U403746172
316 SST	1E391735162	1E395135072	1E398135072	1U4037X0012
304 SST	----	----	----	1U403735042
Brass	----	1E395146222	1E398146222	1U403746172
Elastomer Seat (Types 95L, 95H, and 95HP)				
Brass/Neoprene (CR)	1E3933000C2	1E3963000A2	1E3996000A2	1U4039X0052
416 SST/Neoprene (CR)	1E3933000E2	1E3963000B2	1E3996000B2	----
316 SST/FKM	1E3933X0242	1E3963X0192	1E3996X0342	1U4039X0182
316 SST/Neoprene (CR) (NACE)	1E3933X0012	1E3963X0012	1E3996X0012	1U4039X0082
416 SST/EPDM	----	1E3963X0182	----	----
416 SST/Nitrile (NBR)	----	----	----	1U4039000A2
Brass/FKM	1E3933X0082	1E3963X0072	1E3996X0072	----
416 SST/FKM	1E3933X0102	1E3963X0092	1E3996X0092	1U4039X00A2
316 SST/FKM (NACE)	1E3933X0092	1E3963X0082	1E3996X0082	1U4039X0102
Brass	----	1E3963X00A2	----	----
Brass/PTFE	1E3933X0032	1E3963X0022	1E3996X0022	----
416 SST/PTFE	1E3933000A2	1E3963000D2	1E3996000E2	----
316 SST/PTFE	1E3933X0022	1E3963X00B2	1E3996000D2	1U4039X00B2

Key 11, Regulator Spring Part Numbers

TYPE	BODY SIZE, NPS (DN)	OUTLET PRESSURE RANGES		SPRING PART NUMBER	COLOR
		Psig	bar		
95L	1/4	2 to 6	0,14 to 0,41	1E392527022	Yellow
		5 to 15	0,34 to 1,0	1E392627012	Green
		13 to 30	0,90 to 2,1	1E392727142	Red
95L	1/2 (15)	2 to 6	0,14 to 0,41	1E395627022	Yellow
		5 to 15	0,34 to 1,0	1D7455T0012	Green
		13 to 30	0,90 to 2,1	1E395727192	Red
95L	3/4, 1 (20, 25)	2 to 6	0,14 to 0,41	1E398927022	Yellow
		5 to 15	0,34 to 1,0	1E399027142	Green
		13 to 30	0,90 to 2,1	1E399127162	Red
95H	1/4	15 to 30	1,0 to 2,1	1E392527022	Yellow
		25 to 75	1,7 to 5,2	1E392627012	Green
	1/2 (15)	70 to 150	4,8 to 10,3	1E392727142	Red
		15 to 30	1,0 to 2,1	1E395627022	Yellow
3/4, 1 (20, 25)	25 to 75	1,7 to 5,2	1D7455T0012	Green	
	70 to 150	4,8 to 10,3	1E395727192	Red	
95H	3/4, 1 (20, 25)	15 to 30	1,0 to 2,1	1E398927022	Yellow
		25 to 75	1,7 to 5,1	1E399027142	Green
	1-1/2, 2 (40, 50)	70 to 150	4,8 to 10,3	1E399127162	Red
		5 to 80	0,34 to 5,5	1E795327082	Light Blue
1-1/2, 2 (40, 50)	60 to 120	4,1 to 8,3	1E795427082	Light Gray	
	100 to 140	6,9 to 9,7	1E793327082	Yellow	
	120 to 150	8,3 to 10,3	1P788827082	Black	

Types 95L, 95H, 95HP, and 95HT

Key 11, Regulator Spring Part Numbers (continued)

TYPE	BODY SIZE, NPS (DN)	OUTLET PRESSURE RANGES		SPRING PART NUMBER	COLOR
		Psig	bar		
95HT	1/4	15 to 100 80 to 300	1,0 to 6,9 5,5 to 20,7	14B9941X012 14B9940X012	Unpainted Unpainted
	1/2 (15)	15 to 100 80 to 300	1,0 to 6,9 5,5 to 20,7	14B9943X012 14B9942X022	Unpainted Unpainted
	3/4, 1 (20, 25)	15 to 100 80 to 300	1,0 to 6,9 5,5 to 20,7	14B9944X022 14B9945X022	Unpainted Unpainted
	1-1/2, 2 (40, 50)	15 to 100 60 to 260	1,0 to 6,9 4,1 to 17,9	17B1704X012 17B1705X012	Unpainted Unpainted
95HP	1/4	15 to 100 80 to 400	1,0 to 6,9 5,5 to 27,6	14B9941X012 14B9940X012	Unpainted Unpainted
	1/2 (15)	15 to 100 80 to 400	1,0 to 6,9 5,5 to 27,6	14B9943X012 14B9942X022	Unpainted Unpainted
	3/4, 1 (20, 25)	15 to 100 80 to 400	1,0 to 6,9 5,5 to 27,6	14B9944X022 14B9945X022	Unpainted Unpainted
	1-1/2, 2 (40, 50)	15 to 100 60 to 300	1,0 to 6,9 4,1 to 20,7	17B1704X012 17B1705X012	Unpainted Unpainted

Key 12, Diaphragm Part Numbers

BODY SIZE, NPS (DN)	DIAPHRAGM MATERIAL			
	302 Stainless Steel (2 Required)	Neoprene (CR)	Fluorocarbon (FKM) (2 Required)	Monel® (2 Required)
TYPE 95L				
1/4	1E393936012 ⁽¹⁾	1E394102112	1E394102402 ⁽²⁾	1E393941012
1/2 (15)	1E396936012	1E397102112	1E397102402	1E396941012
3/4 and 1 (20 and 25)	1E390536012	1E390302112	1E390302332	1E390541012
TYPE 95H				
1/4	1E392836012	1E393502112	1E393502402 ⁽²⁾	1E392841012
1/2 (15)	1E395836012	1E396602112	1E396602402	1E395841012
3/4 and 1 (20 and 25)	1E399236012	1E399902112	1E399902402	1E399241012
1-1/2 and 2 (40 and 50)	1P787836012	1P788102192	11A1347X012	1P7878X00A2
TYPE 95HP				
1/4	----	1E393502112	1E393502402 ⁽²⁾	----
1/2 (15)	----	1E396602112	1E396602402	----
3/4 and 1 (20 and 25)	----	1E399902112	1E399902402	----
1-1/2 and 2 (40 and 50)	----	1P788102192	11A1347X012	----
TYPE 95HT				
1/4	1E392836012	----	----	----
1/2 (15)	1E395836012	----	----	----
3/4 and 1 (20 and 25)	1E399236012	----	----	----
1-1/2 and 2 (40 and 50)	1P787836012	----	----	----

1. Only one diaphragm required for Type 95L with 2 to 6 psig (0,14 to 0,41 bar) spring range.
2. Only one diaphragm required for NPS 1/4 size.

Types 95L, 95H, 95HP, and 95HT

Industrial Regulators

Emerson Process Management Regulator Technologies, Inc.

USA - Headquarters
McKinney, Texas 75069-1872 USA
Tel: 1-800-558-5853
Outside U.S. 1-972-548-3574

Asia-Pacific
Shanghai, China 201206
Tel: +86 21 2892 9000

Europe
Bologna, Italy 40013
Tel: +39 051 4190611

Middle East and Africa
Dubai, United Arab Emirates
Tel: +971 4811 8100

Natural Gas Technologies

Emerson Process Management Regulator Technologies, Inc.

USA - Headquarters
McKinney, Texas 75069-1872 USA
Tel: 1-800-558-5853
Outside U.S. 1-972-548-3574

Asia-Pacific
Singapore, Singapore 128461
Tel: +65 6777 8211

Europe
Bologna, Italy 40013
Tel: +39 051 4190611
Gallardon, France 28320
Tel: +33 (0)2 37 33 47 00

TESCOM

Emerson Process Management Tescom Corporation

USA - Headquarters
Elk River, Minnesota 55330-2445 USA
Tel: 1-763-241-3238

Europe
Selmsdorf, Germany 23923
Tel: +49 (0) 38823 31 0

For further information visit www.fisherregulators.com

The Emerson logo is a trademark and service mark of Emerson Electric Co. All other marks are the property of their prospective owners. Fisher is a mark owned by Fisher Controls, Inc., a business of Emerson Process Management.

The contents of this publication are presented for informational purposes only, and while every effort has been made to ensure their accuracy, they are not to be construed as warranties or guarantees, express or implied, regarding the products or services described herein or their use or applicability. We reserve the right to modify or improve the designs or specifications of such products at any time without notice.

Emerson Process Management does not assume responsibility for the selection, use or maintenance of any product. Responsibility for proper selection, use and maintenance of any Emerson Process Management product remains solely with the purchaser.